

TRINITY SHWR PK

TRINITY Shower Range Complete Trinity Shower Pack



Specification	
Style:	Traditional
Finish/Colour:	Chrome Plated
Main Construction Material:	Brass; ABS
No of Controls:	2
Shower Type:	Dual Control
Shower Head Type:	Fixed Head and Adjustable Riser Kit
Valve/Cartridge Type:	3/4" Ceramic Disc Valve 1/4 turn
Maximum Hot Water Supply Temperature °C:	65
Maximum Static Pressure: (bar)	10
Plumbing System Suitability:	Suitable for all plumbing systems
Working Pressure Range:	Min: 0.2 bar, Max: 5 bar
Connection Inlet:	15mm Compression
Connection Outlet:	G 1/2"
Isolation Valve Included:	No
Check Valve Included:	Yes

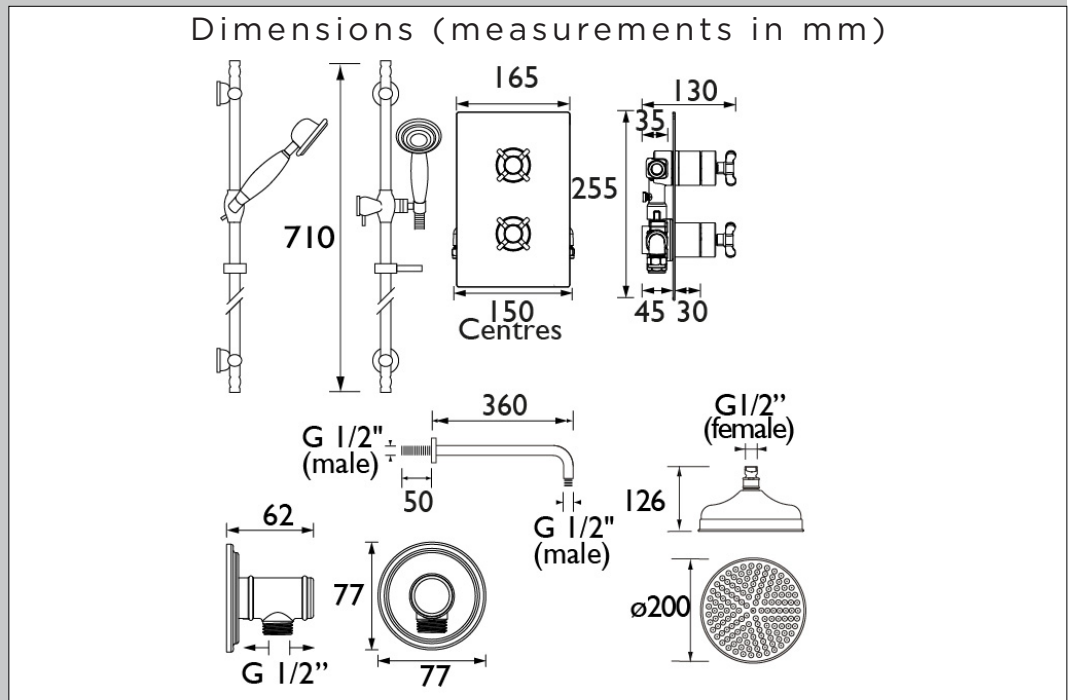
Features:

- Glamorous in the detail, this shower pack contains a Trinity shower valve with integral two outlet diverter. It has a 200mm traditional round fixed head with shower arm; a traditional adjustable riser shower kit with a single function handset and hose.
- The shower valve has been designed to fit in any UK wall cavity and therefore only needs a 35mm deep cavity space
- Dual control - flow and temperature are controlled separately
- Fully serviceable from the front
- 15mm inlet connections
- Chrome plated to BS EN 248
- Wall outlet designed with Bristan's Wall Mount Technology for easier installation

Product Certifications:



For more products, visit our website:
<http://www.bristan.com>



Flow Rates (l/min)						
System Pressure (bar)	0.2	0.5	1	2	3	5
Outlet 1	8.5	13.4	19	26.9	32.9	42.5
Outlet 2	8.3	13.1	18.5	26.2	32	41.4

TECHNICAL DATA SHEET



BRISTAN

D2